

MDC (M12) Series Cordsets with LEDs

3 Conductor MDC Series Cordsets, 22AWG



Right Angle Female Cordsets | 10-30 Volt, 4 amps | IP67 Rating

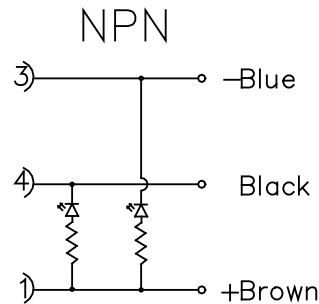
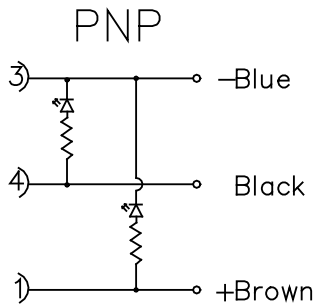


Connector Body Style	Part Number	Cables	Features	Color Code	Faceview
	MDC-3FP-**-R-PNP	PVC 10-30V 3 X 22 AWG -40°C to +105°C 5mm OD	Industry Standard PVC	1. Brown 2. Not Used 3. Blue 4. Black 5. Not Used	
	MDC-3FP-**-R-NPN				

** Lengths in meters. Standard cable lengths are 2, 5 & 10 meters. Consult factory for other lengths.

Females will have all 5 contact holes in the connector.

Standard coupling nut is nickel plated brass, for stainless steel coupling nut add a "SS" suffix. (e.g. MDC-3FP-2M-R-PNP becomes MDC-3FP-2M-R-PNP-SS)



Circuit Specification

H

Micro-DC (M12) Series Cordsets